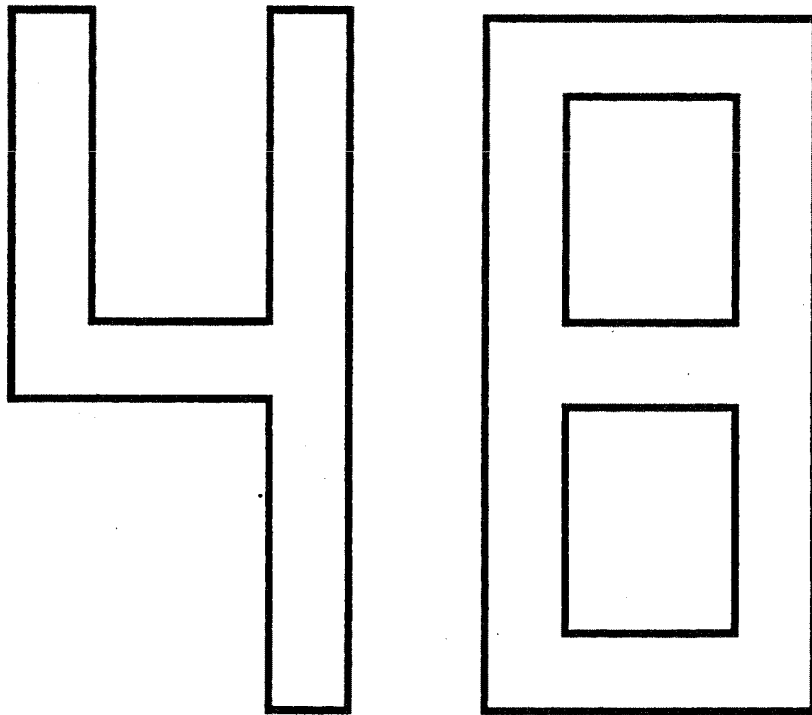
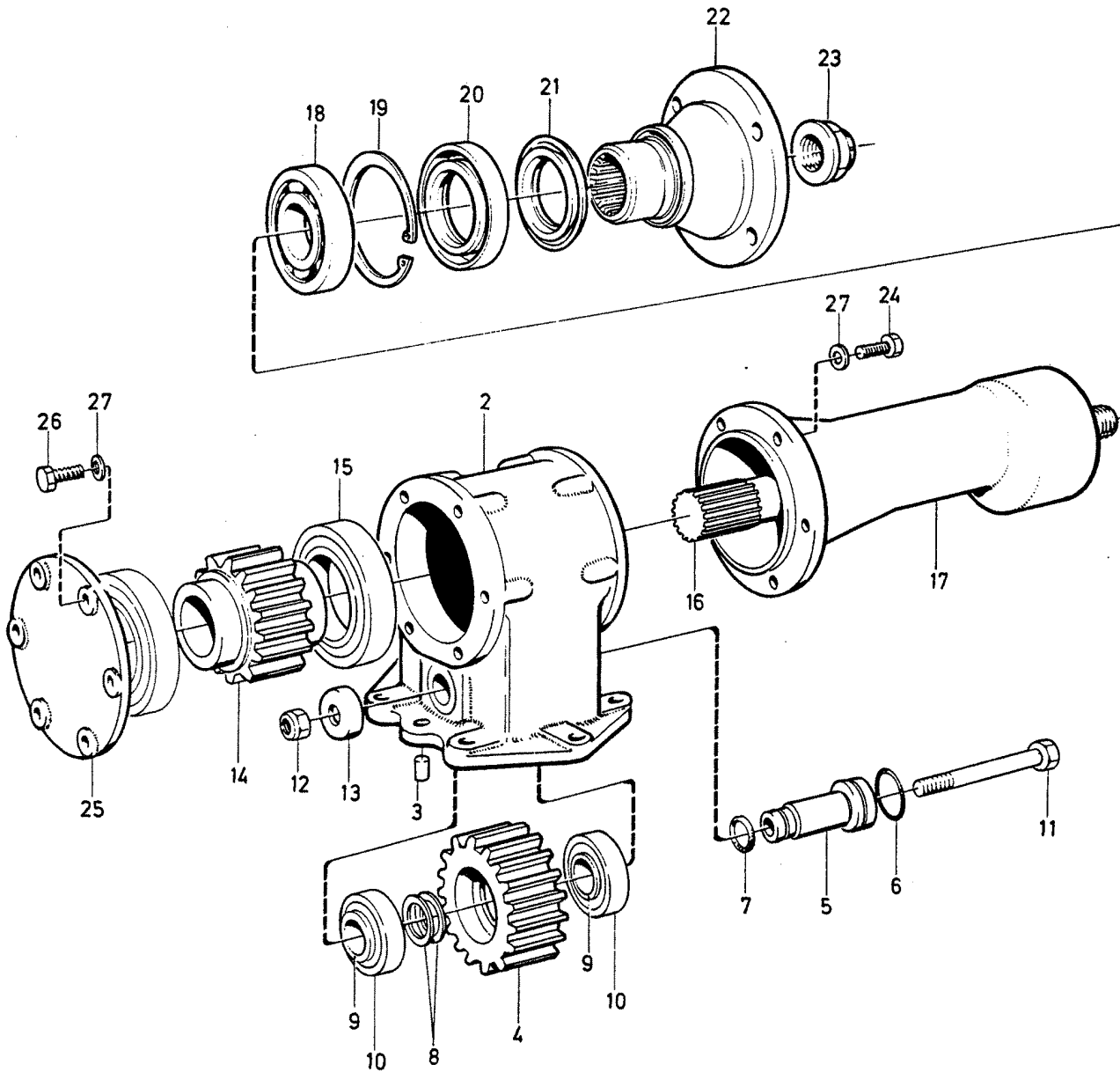


**KRAFTUTTAG /POWER TAKE-OFF**



A						P S		Benämning		Description		Anmärkning Notes		Grupp Group	
														48	
														Sida Page	
														333	
B						UNDERGRUPP KRAFTUTTAG		SUB GROUP POWER TAKE-OFF							
C															
D															
E															
Pos	Artikel nr Part No.	Antal /Quantity													
		A	B	C	D	E									
		-	-	-	-	-	Kraftuttag .....		Power take-off .....		SEE 48-335				
		-	-	-	-	-	Kraftuttag vinsch .....		Power take-off winch .....		SEE 48-337				

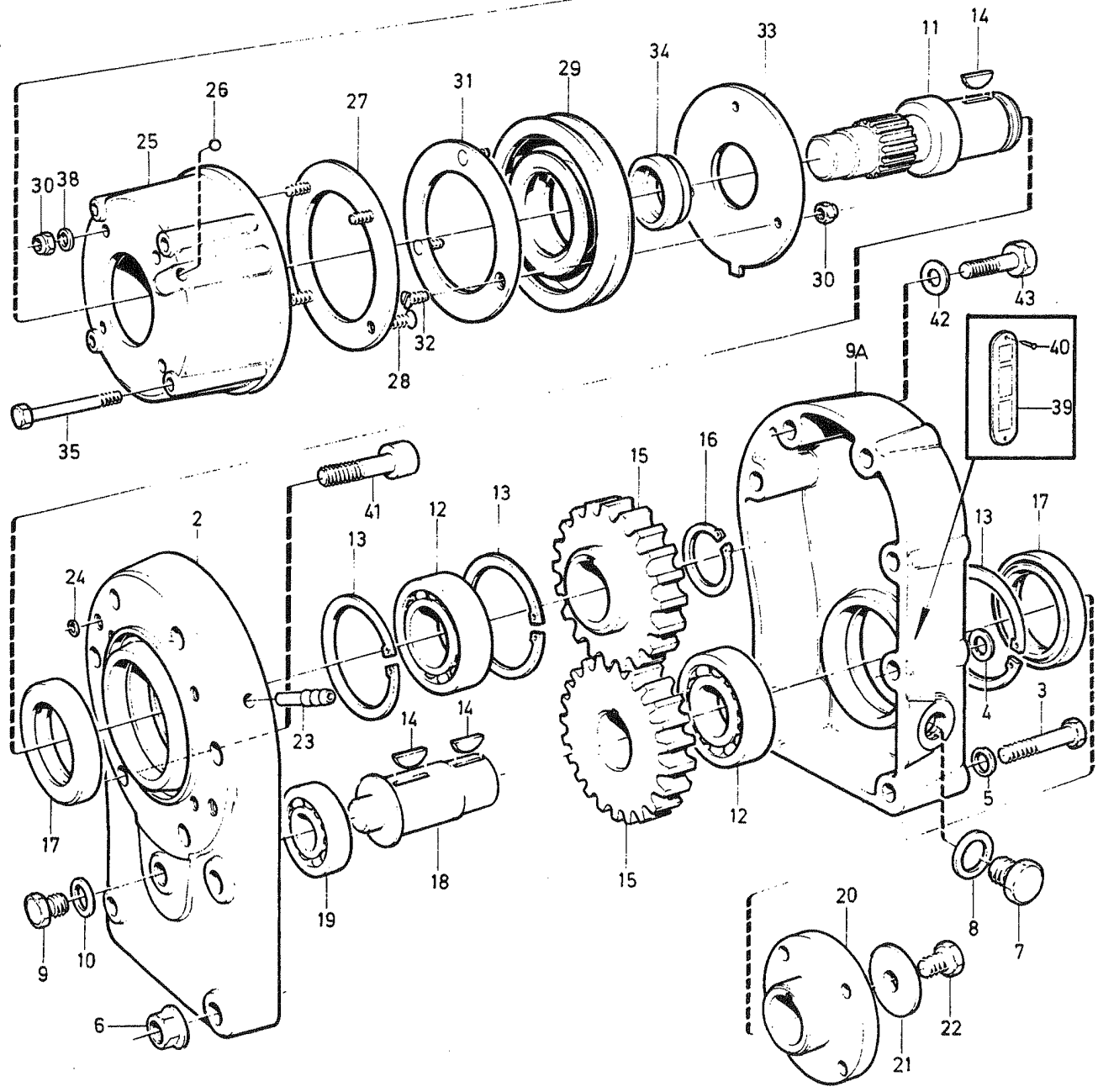
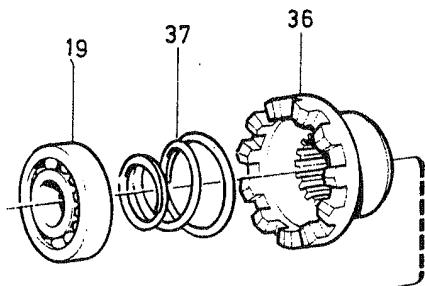
1



VOLVO PARTS  
2 040 20766  
(17:2)

A						P S	Benämning	Description	Anmärkning Notes	S R								
	B										KRAFTUTTAG	POWER TAKE-OFF	Grupp Group					
		C												48				
			D												Sida Page			
																335		
E																		
Pos	Artikel nr Part No.	Antal /Quantity																
		A	B	C	D	E												
1	642737-1	1	-	-	-	-	Kraftuttag .....	Power take-off .....		4								
2	643882-4	1	-	-	-	-	• Hus .....	• Housing .....		3								
3	950562-9	2	-	-	-	-	• Pinne .....	• Pin .....		2								
4	638184-2	1	-	-	-	-	• Mellanhjul .....	• Idler gear .....		3								
5	641456-9	1	-	-	-	-	• Axel .....	• Shaft .....		4								
6	955995-6	1	-	-	-	-	• O-ring .....	• O-ring .....		2								
7	955989-9	1	-	-	-	-	• O-ring .....	• O-ring .....		2								
8	639428-2	X	-	-	-	-	• Distansring .....	• Spacer ring .....	THK 1,25	3								
	639429-0	X	-	-	-	-	• Distansring .....	• Spacer ring .....	THK 1,30	3								
	639430-8	X	-	-	-	-	• Distansring .....	• Spacer ring .....	THK 1,35	3								
	639431-6	X	-	-	-	-	• Distansring .....	• Spacer ring .....	THK 1,40	3								
	639432-4	X	-	-	-	-	• Distansring .....	• Spacer ring .....	THK 1,60	3								
	639433-2	X	-	-	-	-	• Distansring .....	• Spacer ring .....	THK 1,65	3								
	639434-0	X	-	-	-	-	• Distansring .....	• Spacer ring .....	THK 1,85	3								
	639435-7	X	-	-	-	-	• Distansring .....	• Spacer ring .....	THK 1,90	3								
	639436-5	X	-	-	-	-	• Distansring .....	• Spacer ring .....	THK 1,95	3								
	639437-3	X	-	-	-	-	• Distansring .....	• Spacer ring .....	THK 2,00	3								
9	181585-1	2	-	-	-	-	• Innerring .....	• Cone .....		3								
10	181584-4	2	-	-	-	-	• Yttering .....	• Cup .....		3								
11	955542-6	1	-	-	-	-	• Skruv .....	• Screw .....		2								
12	950354-1	1	-	-	-	-	• Låsmutter .....	• Lock nut .....		2								
13	641455-1	1	-	-	-	-	• Bricka .....	• Washer .....		3								
14	642426-1	1	-	-	-	-	• Kugghjul .....	• Gear .....		3								
15	19578-4	1	-	-	-	-	• Kullager .....	• Ball bearing .....		2								
16	642425-3	1	-	-	-	-	• Axel .....	• Shaft .....		4								
17	643881-6	1	-	-	-	-	• Rör .....	• Tube .....		3								
18	11013-0	1	-	-	-	-	• Kullager .....	• Ball bearing .....		2								
19	914533-5	1	-	-	-	-	• Spårring .....	• Retaining ring .....		2								
20	948635-8	1	-	-	-	-	• Tätningsring .....	• Sealing ring .....		2								
21	944050-4	1	-	-	-	-	• Tätningsring .....	• Sealing ring .....		2								
22	384720-9	1	-	-	-	-	• Medbringare .....	• Companion flange .....		3								
23	946831-5	1	-	-	-	-	• Mutter .....	• Nut .....		2								
24	955512-9	6	-	-	-	-	• Skruv .....	• Screw .....		2								
25	642482-4	1	-	-	-	-	• Lock .....	• Cover .....		4								
26	955513-7	6	-	-	-	-	• Skruv .....	• Screw .....		2								
27	955893-3	12	-	-	-	-	• Bricka .....	• Washer .....		2								

1

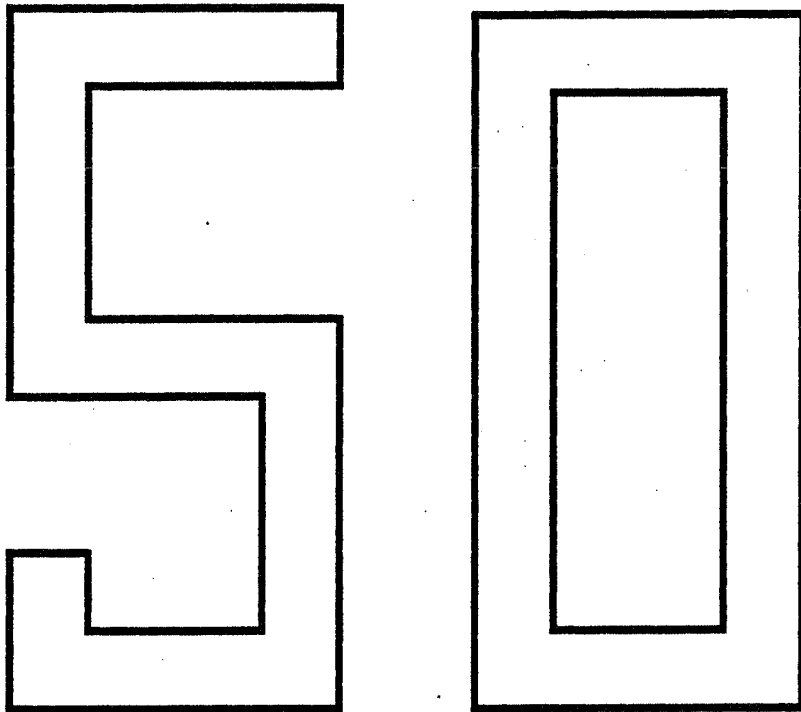


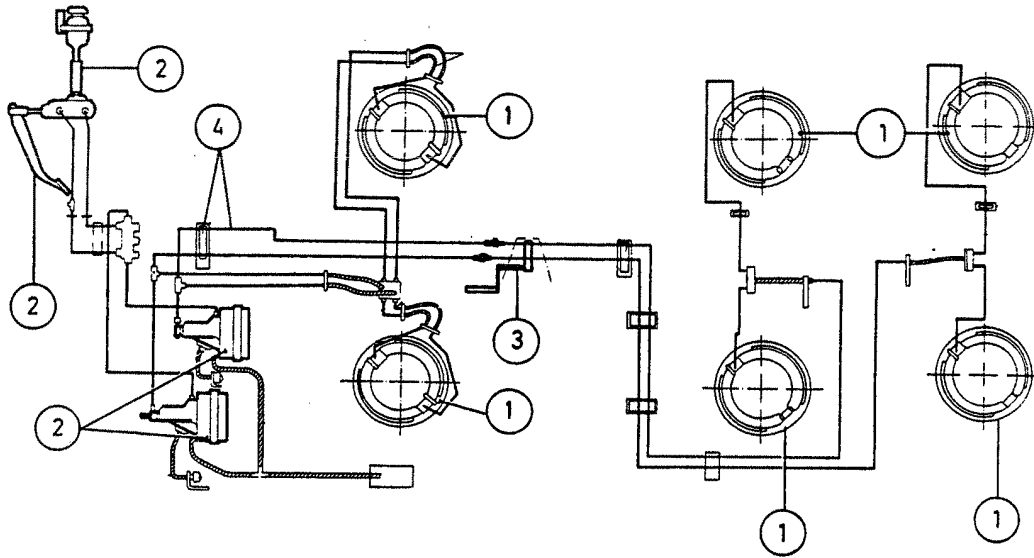
VOLVO PARTS  
2 040 27947  
(17:2)

<b>A</b>		<b>KRAFTUTTAG VINSCH</b>	<b>POWER TAKE-OFF WINCH</b>	Grupp
<b>B</b>				Group
<b>C</b>				<b>48</b>
<b>D</b>				Sida
<b>E</b>				Page
				<b>337</b>

Pos	Artikel nr Part No.	Antal /Quantity					P S	Benämning	Description	Anmärkning Notes	S R	
		A	B	C	D	E						
1	1561005-8	1	-	-	-	-		Kraftuttag .....	Power take-off .....	INCL SPCL S-8919	4	
2	1561000-9	1	-	-	-	-		• Hus .....	• Housing .....	(11992)	6	
3	955306-6	3	-	-	-	-		• Skruv .....	• Screw .....		2	
4	946654-1	2	-	-	-	-		• Bricka .....	• Washer .....		2	
5	947620-1	2	-	-	-	-		• Packning .....	• Gasket .....		2	
6	945408-3	3	-	-	-	-		• Flänsmutter .....	• Flange nut .....		2	
7	947585-6	1	-	-	-	-		• Plugg .....	• Plug .....		2	
8	18677-5	1	-	-	-	-		• Packning .....	• Gasket .....		2	
9	960628-6	1	-	-	-	-		• Propp .....	• Plug .....		2	
9a	1561001-7	1	-	-	-	-		• Lock .....	• Cover .....		4	
10	957173-8	1	-	-	-	-		• Packning .....	• Gasket .....		2	
11	1561002-5	1	-	-	-	-		• Axel .....	• Shaft .....		4	
12	11013-0	2	-	-	-	-		• Kullager .....	• Ball bearing .....		2	
13	914533-5	3	-	-	-	-		• Spärring .....	• Retaining ring .....		2	
14	910121-3	3	-	-	-	-		• Kil .....	• Key .....		2	
15	1561003-3	2	-	-	-	-		• Kuggghjul .....	• Gear .....		3	
16	914462-7	1	-	-	-	-		• Spärring .....	• Retaining ring .....		2	
17	948635-8	2	-	-	-	-		• Tätningsring .....	• Sealing ring .....		(946811)	2
18	1561004-1	1	-	-	-	-		• Axel .....	• Shaft .....		4	
19	11011-4	2	-	-	-	-		• Kullager .....	• Ball bearing .....		2	
20	1561006-6	1	-	-	-	-		• Medbringare .....	• Companion flange .....		4	
21	642509-4	1	-	-	-	-		• Bricka .....	• Washer .....		3	
22	955315-7	1	-	-	-	-		• Skruv .....	• Screw .....		2	
23	327979-1	1	-	-	-	-		• Slangnippel .....	• Hose nipple .....		3	
24	960202-0	1	-	-	-	-		• O-ring .....	• O-ring .....		2	
25	1561007-4	1	-	-	-	-		• Hus .....	• Housing .....		6	
26	31449-2	1	-	-	-	-		• Kula .....	• Ball .....		2	
27	1561151-0	1	-	-	-	-		• Fästplåt .....	• Attaching plate .....		3	
28		1	-	-	-	-	NS	• Fästplåt .....	• Attaching plate .....			
29	1561201-3	4	-	-	-	-	NS	• Skruv .....	• Screw .....			
30	955779-4	1	-	-	-	-		• Bälge .....	• Bellows .....	3		
31	1561008-2	7	-	-	-	-		• Mutter .....	• Nut .....	2		
		1	-	-	-	-		• Stödplåt .....	• Support plate .....	4		
		1	-	-	-	-	NS	• Stödplåt .....	• Support plate .....			
32	1561596	3	-	-	-	-	NS	• Skruv .....	• Screw .....			
33	1561150-2	1	-	-	-	-		• Monteringsring .....	• Mounting ring .....	3		
34	1561153-6	1	-	-	-	-		• Glidring .....	• Slide ring .....	3		
35	955236-5	4	-	-	-	-		• Skruv .....	• Screw .....	2		
36	1561154-4	1	-	-	-	-		• Medbringare .....	• Companion flange .....	4		
37	1561200-5	1	-	-	-	-		• Tryckfjäder .....	• Compression spring .....	3		
38	192026-3	10	-	-	-	-		• Packning .....	• Gasket .....	2		
39	384316	1	-	-	-	-	NS	• Skylt .....	• Sign .....			
40	950891-2	1	-	-	-	-		• Nit .....	• Rivet .....	2		
41	959220-5	2	-	-	-	-		• Skruv .....	• Screw .....	2		
42	946654-1	4	-	-	-	-		• Bricka .....	• Washer .....	2		
43	955306-6	4	-	-	-	-		• Skruv .....	• Screw .....	2		

**BROMS / BRAKES**



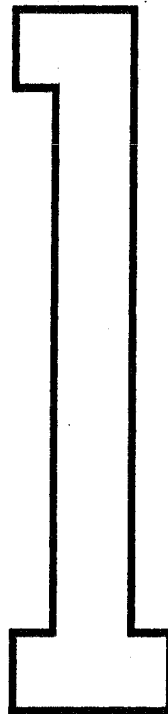
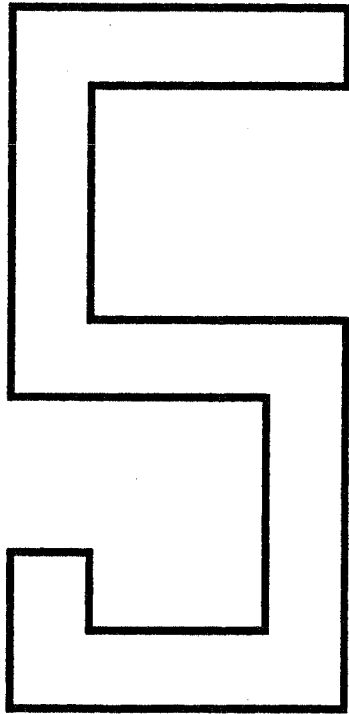


**VOLVO**  
Genuine Parts  
LV 500 53235

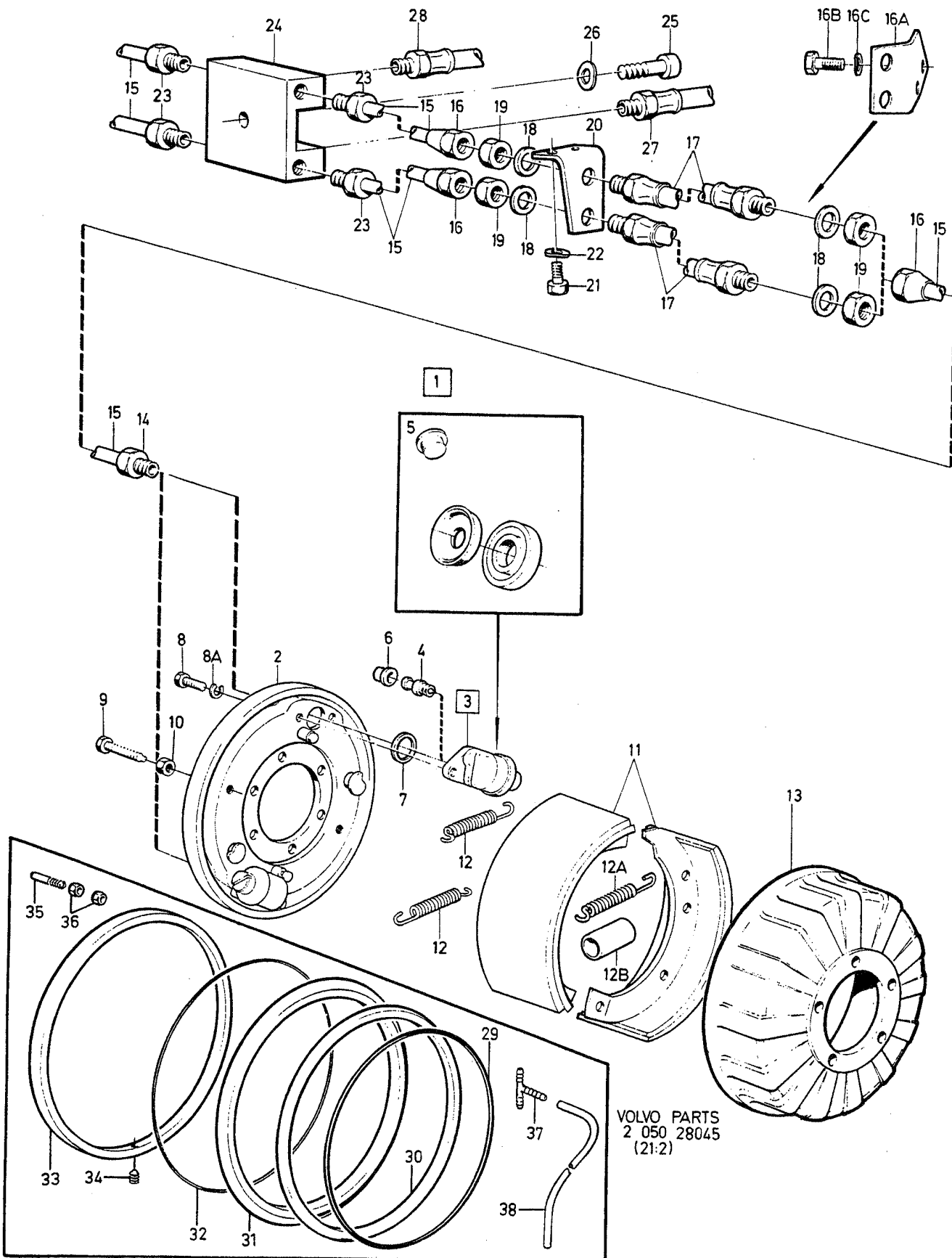


GRUPP INDEX BROMS		GROUP INDEX BRAKES		Grupp Group <b>50</b>
				Sida Page <b>341</b>
Pos	Benämning	Description	Anmärkning Notes	
1	<b>UNDERGRUPP 51</b> Hjulbroms .....	<b>SUB GROUP 51</b> Wheel brake .....	SEE 51 • 343	
2	<b>UNDERGRUPP 52</b> Vakuumphyaliskt bromssystem .....	<b>SUB GROUP 52</b> Vacuum-hydraulic brakes .....	SEE 52 • 349	
3	<b>UNDERGRUPP 55</b> Parkeringsbroms .....	<b>SUB GROUP 55</b> Parking brake .....	SEE 55 • 361	
4	<b>UNDERGRUPP 58</b> Rörkopplingar, nipplar, .....	<b>SUB GROUP 58</b> Pipe unions, nipples, .....	SEE 58 • 367	

HJULBROMS /WHEEL BRAKE

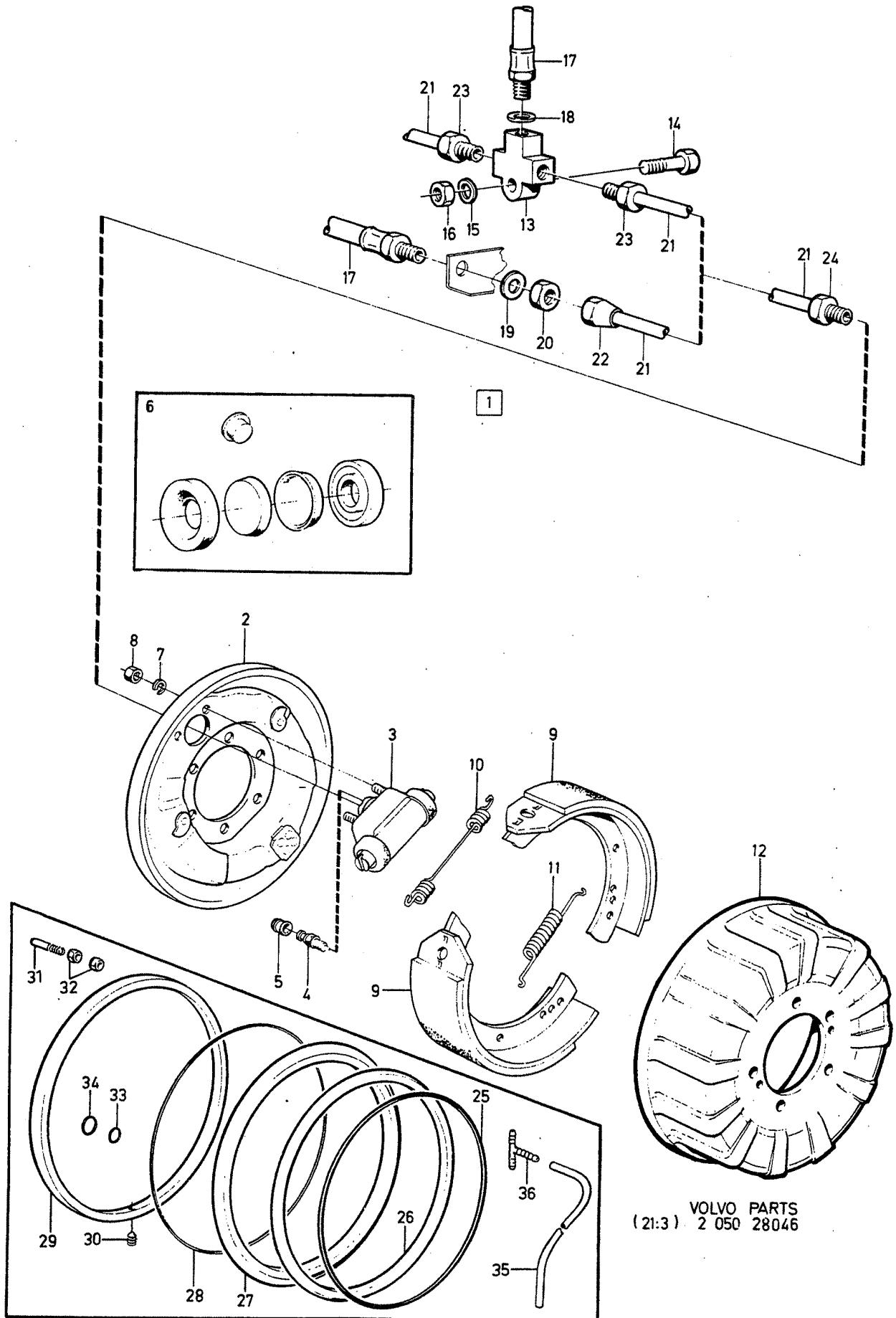


<b>A</b>						<b>UNDERGRUPP</b>		<b>SUB GROUP</b>		Grupp Group <b>51</b>	
<b>B</b>						<b>HJULBROMS</b>		<b>WHEEL BRAKE</b>			
<b>C</b>											
<b>D</b>											
<b>E</b>											
Pos	Artikel nr Part No.	Antal /Quantity					P S	Benämning	Description	Anmärkning Notes	S R
		<b>A</b>	<b>B</b>	<b>C</b>	<b>D</b>	<b>E</b>					
		-	-	-	-	-		Framhjulsbroms .....	Front wheel brake .....	SEE 51-345	
		-	-	-	-	-		Bakhjulsbroms .....	Rear wheel brake .....	SEE 51-347	



A	1565832					P	S	Benämning	Description	Anmärkning Notes	S	R
	B	C	D	E								
B	1565833							FRAMHJULSBROMS	FRONT WHEEL BRAKE			
C	1565834											
D	1565835											
E												
Pos	Artikel nr Part No.	Antal /Quantity										
		A	B	C	D	E						
1	1565832	1	-	-	-	-	NS	Framhjulsbroms .....	Front wheel brake .....			
	1565833	-	1	-	-	-	NS	Framhjulsbroms .....	Front wheel brake .....			
	1565834	-	-	1	-	-	NS	Framhjulsbroms .....	Front wheel brake .....	1) 6X6		
	1565835	-	-	-	1	-	NS	Framhjulsbroms .....	Front wheel brake .....	1) 6X6		
2	1560832-6	1	-	1	-	-		• Bromssköld .....	• Backing plate .....		3	
	1560833-4	-	1	-	1	-		• Bromssköld .....	• Backing plate .....		3	
3	638310-3	2	-	-	-	-		• Hjulcylinder, v .....	• Wheel cylinder, l.h. ....		4	
	638311-1	-	2	-	-	-		• Hjulcylinder, h .....	• Wheel cylinder, r.h. ....		4	
	1566874-2	-	-	2	-	-		• Hjulcylinder .....	• Wheel cylinder .....		4	
	1566875-9	-	-	-	2	-		• Hjulcylinder .....	• Wheel cylinder .....		4	
4	656455-3	1	1	1	1	-		• Urluftningsskruv .....	• Bleeder screw .....		2	
5	272597-6	1	1	-	-	-		• Reparationssats .....	• Repair kit .....		2	
	272686-7	-	-	1	1	-		• Reparationssats .....	• Repair kit .....		2	
6	656456-1	1	1	1	1	-		• Gummihatt .....	• Rubber cap .....		2	
7	1560836-7	2	2	2	2	-		• Packning .....	• Gasket .....		1	
8	955654-9	4	4	4	4	-		• Skruv .....	• Screw .....		2	
8a	955921-2	4	4	4	4	-		• Fjäderbricka .....	• Spring washer .....		2	
9	1560839-1	2	2	2	2	-		• Ställskruv .....	• Adjusting screw .....		3	
10	955857-8	2	2	2	2	-		• Mutter .....	• Nut .....		2	
11	1565837	2	-	2	-	-	OP	• Bromsback .....	• Brake shoe .....		4	
	271098-6	1	-	1	-	-		• Bromsbacksats .....	• Brake shoe kit .....		1	
	1565838	-	2	-	2	-	OP	• Bromsback .....	• Brake shoe .....		4	
	271099-4	-	1	-	1	-		• Bromsbacksats .....	• Brake shoe kit .....		1	
12	1565836-2	2	2	2	2	-		• Returfjäder .....	• Return spring .....		3	
12a	1565854-5	2	2	2	2	-		• Returfjäder .....	• Return spring .....		3	
12b	1565815-6	2	2	2	2	-		• Bussning .....	• Bushing .....		4	
13	642355-2	1	1	1	1	-		Bromstrumma .....	Brake drum .....		4	
14	943288-1	2	2	2	2	-		Överfallsmutter .....	Cap nut .....		2	
15	954313-3	X	X	X	X	-		Bundyrör .....	Bundy pipe .....		2	
16	945752-4	X	X	X	X	-		Överfallsmutter .....	Cap nut .....		2	
16a	641209-2	1	-	1	-	-		Konsol .....	Bracket .....		2	
	1560087-7	-	1	-	1	-		Konsol .....	Bracket .....		3	
16b	955512-9	2	2	2	2	-		Skruv .....	Screw .....		2	
16c	941906-0	2	2	2	2	-		Fjäderbricka .....	Spring washer .....		2	
17	644171-1	2	2	2	2	-		Bromsslang .....	Brake hose .....		2	
18	955950-1	X	X	X	X	-		Låsbricka .....	Lock washer .....		2	
19	955858-6	X	X	X	X	-		Mutter .....	Nut .....		2	
20	1561028-0	1	-	1	-	-		Konsol .....	Bracket .....		3	
	1561029-8	-	1	-	1	-		Konsol .....	Bracket .....		3	
21	955511-1	1	1	1	1	-		Skruv .....	Screw .....		2	
22	941906-0	1	1	1	1	-		Fjäderbricka .....	Spring washer .....		2	
23	945753-2	X	X	X	X	-		Överfallsmutter .....	Cap nut .....		2	
24	677610-8	1	-	1	-	-		Förgrening .....	Manifold .....		2	
25	950046-3	1	-	1	-	-		Skruv .....	Screw .....		2	
	950047-1	1	-	1	-	-		Skruv .....	Screw .....	HJB 2530	2	
26	941906-0	1	-	1	-	-		Fjäderbricka .....	Spring washer .....		2	
27	644245-3	1	-	1	-	-		Bromsslang .....	Brake hose .....		2	
28	644246-1	1	-	1	-	-		Bromsslang .....	Brake hose .....		2	
29	1562888-6	1	1	-	-	-		Packning .....	Gasket .....		4	
30	1563298-7	1	1	-	-	-		Hållare .....	Retainer .....		4	
31	1562892-8	1	1	-	-	-		Tätningring .....	Sealing ring .....		2	
32	1563299-5	1	1	-	-	-		Spårring .....	Retaining ring .....		4	
33	1562101-4	1	1	-	-	-		Slitring .....	Wear ring .....		4	
34	945647-6	6	6	-	-	-		Stoppaskruv .....	Set screw .....		2	
35	1561879-6	1	1	-	-	-		Nippel .....	Nipple .....		4	
36	955798-4	2	2	-	-	-		Mutter .....	Nut .....		2	
37	639056-1	1	1	-	-	-		Rör .....	Pipe .....		3	
☆ 38	1306703-8	X	X	-	-	-		Slang .....	Hose .....	(191472)	2	

1) Svenska armén. / Swedish Armed Forces.



VOLVO PARTS  
(21:3) 2 050 28046

A	4X4	BAKHJULSBROMS					REAR WHEEL BRAKE			Grupp Group	
	B									4X4	51
C	6X6									Sida Page	
D										347	
E											
Pos	Artikel nr Part No.	Antal /Quantity					P S	Benämning	Description	Anmärkning Notes	S R
		A	B	C	D	E					
1	644671	1	-	-	-	-	NS	Bakhjulsbroms, v .....	Rear wheel brake, l.h. ....	1)	
	644672	1	-	-	-	-	NS	Bakhjulsbroms, h .....	Rear wheel brake, r.h. ....	1)	
	1563534	-	1	2	-	-	NS	Bakhjulsbroms .....	Rear wheel brake .....		
	1563535	-	1	2	-	-	NS	Bakhjulsbroms .....	Rear wheel brake .....		
2	1560841-7	1	1	1	-	-		• Bromssköld, v .....	• Backing plate, l.h. ....		5
	1560842-5	1	1	1	-	-		• Bromssköld, h .....	• Backing plate, r.h. ....		5
3	1566762-9	1	-	-	-	-		• Hjulcylinder .....	• Wheel cylinder .....		3
	1566763-7	1	-	-	-	-		• Hjulcylinder .....	• Wheel cylinder .....		3
	1566764-5	-	1	1	-	-		• Hjulcylinder .....	• Wheel cylinder .....		3
	1566765-2	-	1	1	-	-		• Hjulcylinder .....	• Wheel cylinder .....		3
4	656455-3	1	1	1	-	-		• Urluftningsskruv .....	• Bleeder screw .....		2
5	656456-1	1	1	1	-	-		• Gummihatt .....	• Rubber cap .....		2
6	272598-4	1	-	-	-	-		• Reparationssats .....	• Repair kit .....		2
	276573-3	-	1	1	-	-		• Reparationssats .....	• Repair kit .....		1
7	1561057-9	2	2	2	-	-		• Fjäderbricka .....	• Spring washer .....		2
8	955847-9	2	2	2	-	-		• Mutter .....	• Nut .....		2
9	1561144	1	-	-	-	-	OP	• Bromsback .....	• Brake shoe .....		4
	1561145	1	-	-	-	-	OP	• Bromsback .....	• Brake shoe .....		4
	1565468	-	1	1	-	-	OP	• Bromsback .....	• Brake shoe .....		4
	1565469	-	1	1	-	-	OP	• Bromsback .....	• Brake shoe .....		4
	271097-8	1	1	1	-	-		• Bromsbacksats .....	• Brake shoe kit .....		1
10	1560846-6	1	1	1	-	-		• Returfjäder .....	• Return spring .....		3
11	1560847-4	1	1	1	-	-		• Returfjäder .....	• Return spring .....		3
12	642355-2	2	2	4	-	-		Bromstrumma .....	Brake drum .....		4
13	87696-1	-	-	2	-	-		Trevägsförgrening .....	Three-way union .....		3
14	955514-5	-	-	2	-	-		Skruv .....	Screw .....		2
15	941906-0	-	-	2	-	-		Fjäderbricka .....	Spring washer .....		2
16	955825-5	-	-	2	-	-		Mutter .....	Nut .....		2
17	644170-3	2	2	2	-	-		Bromsslang .....	Brake hose .....		2
18	80939-2	-	-	2	-	-		Bricka .....	Washer .....		3
19	955950-1	2	2	-	-	-		Låsbricka .....	Lock washer .....		2
20	955858-6	2	2	-	-	-		Mutter .....	Nut .....		2
21	954313-3	X	X	X	-	-		Bundyrör .....	Bundy pipe .....		2
22	945752-4	X	X	-	-	-		Överfallsmutter .....	Cap nut .....		2
23	945753-2	X	X	X	-	-		Överfallsmutter .....	Cap nut .....		2
24	943288-1	X	X	X	-	-		Överfallsmutter .....	Cap nut .....		2
25	1562888-6	1	1	-	-	-		Packning .....	Gasket .....		4
26	1563298-7	1	1	-	-	-		Hållare .....	Retainer .....		4
27	1562892-8	1	1	-	-	-		Tätningring .....	Sealing ring .....		2
28	1563299-5	1	1	-	-	-		Spårring .....	Retaining ring .....		4
29	1562101-4	1	1	-	-	-		Slitring .....	Wear ring .....		4
30	945647-6	6	6	-	-	-		Stoppskruv .....	Set screw .....		2
31	1561879-6	1	1	-	-	-		Nippel .....	Nipple .....		4
32	955798-4	2	2	-	-	-		Mutter .....	Nut .....		2
33	946066-8	1	1	-	-	-		O-ring .....	O-ring .....		2
34	925057-2	1	1	-	-	-		O-ring .....	O-ring .....		2
35	1306703-8	X	X	-	-	-		Slang .....	Hose .....	(191472)	2
36	639056-1	1	1	-	-	-		Rör .....	Pipe .....		3

1) Svenska armén. / Swedish Armed Forces.