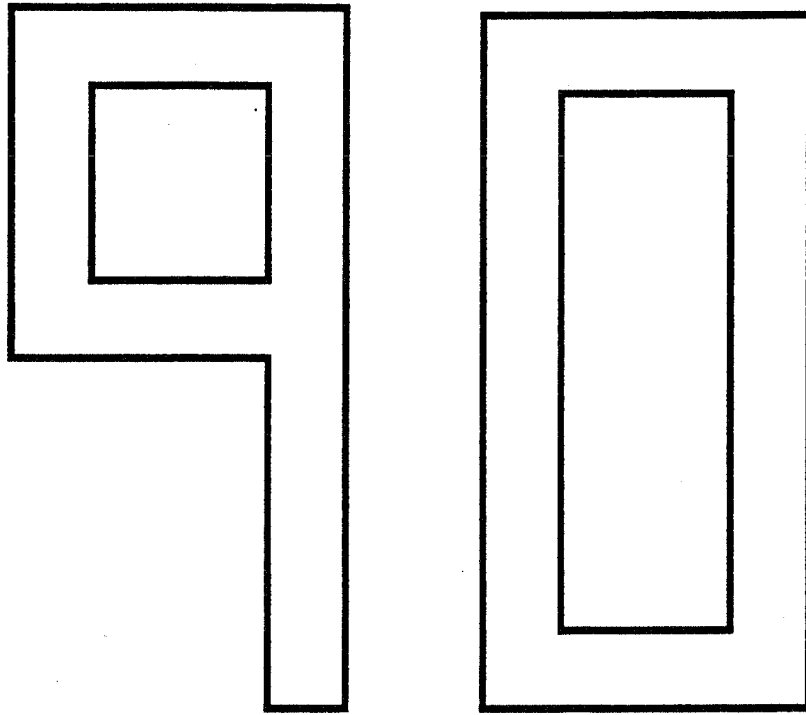
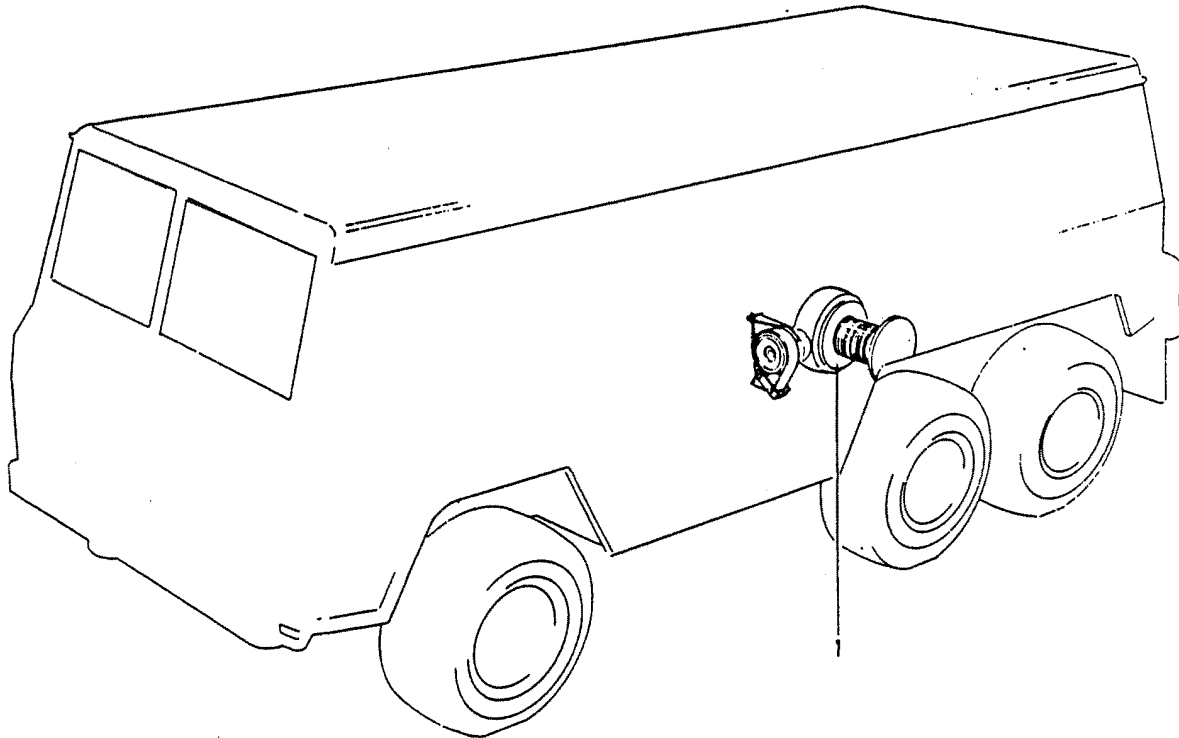
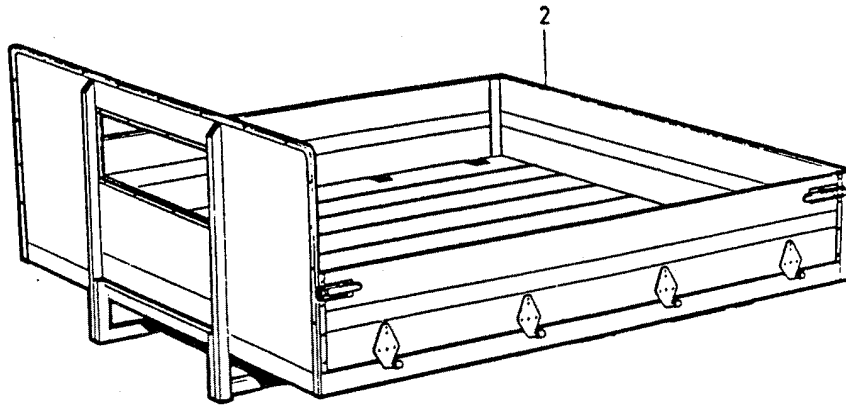


ÖVRIG UTRUSTNING / OTHER EQUIPMENT

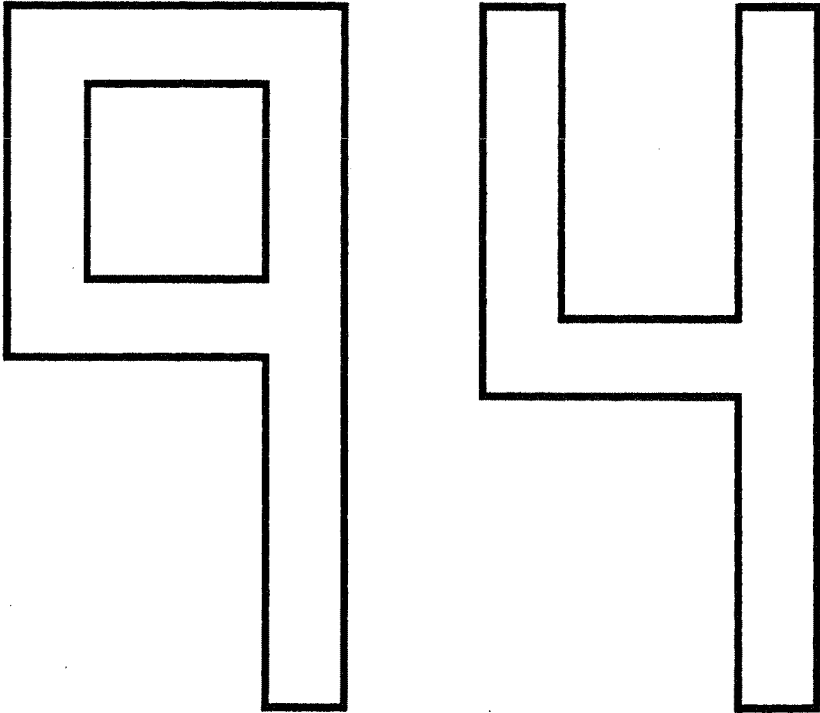




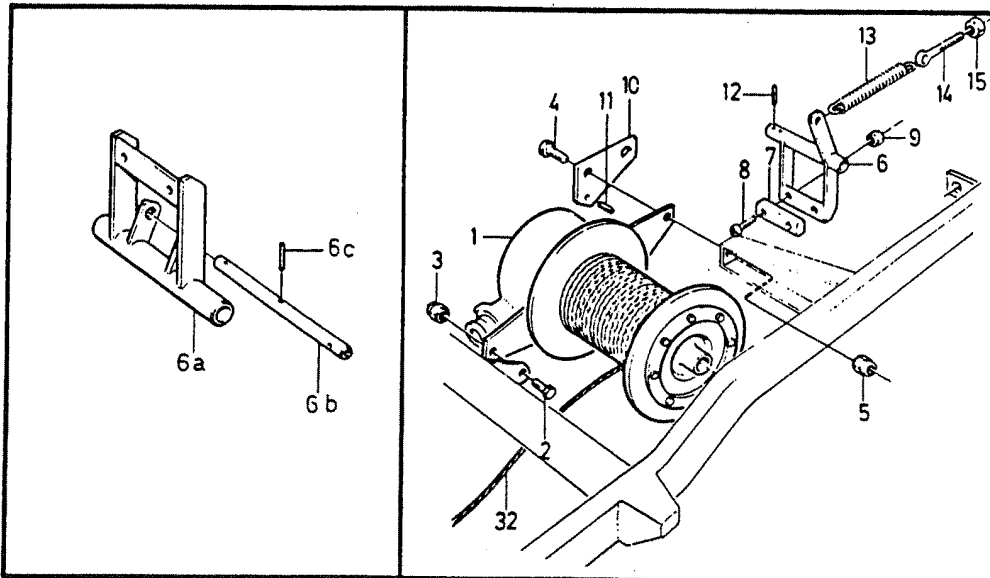
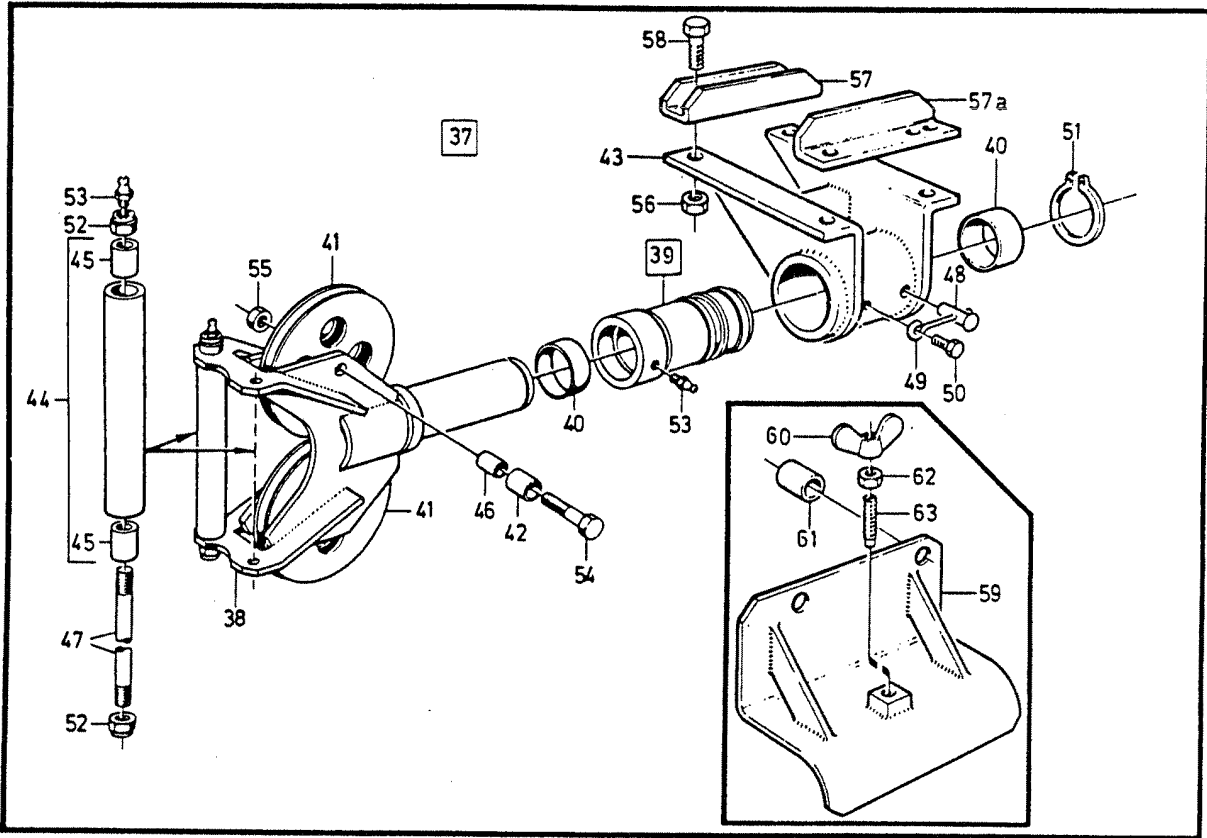
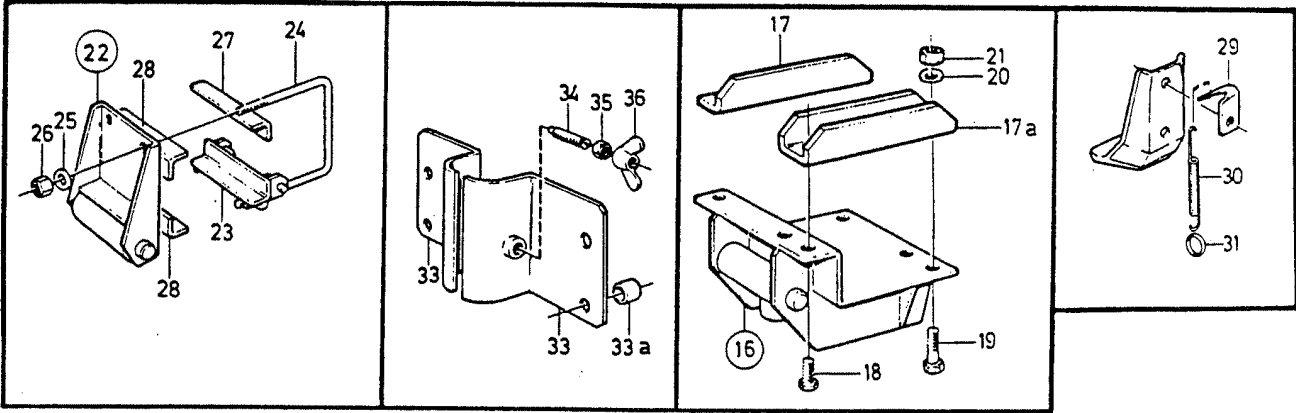
VOLVO
Genuine Parts
LV900 53139

GRUPP INDEX ÖVRIG UTRUSTNING		GROUP INDEX OTHER EQUIPMENT		Grupp Group 90
				Sida Page 547
Pos	Benämning	Description	Anmärkning Notes	
1	UNDERGRUPP 94 Aggregat för lasthantering	SUB GROUP 94 Load handling unit	SEE 94 • 549	
2	UNDERGRUPP 95 Lastbärare	SUB GROUP 95 Load carrier	SEE 95 • 565	

AGGREGAT FÖR LASTHANTERING /LOAD HANDLING UNIT



A						UNDERGRUPP		SUB GROUP		Grupp	
						AGGREGAT FÖR LASTHANTERING		LOAD HANDLING UNIT		Group	
										94	
										Sida	
										Page	
B										549	
C											
D											
E											
Pos	Artikel nr Part No.	Antal /Quantity					P	Benämning	Description	Anmärkning Notes	S
		A	B	C	D	E	S			R	
		-	-	-	-	-		Vinsch med monteringsdetaljer	Winch with fittings	SEE 94-551	
		-	-	-	-	-		Vinsch reglage	Winch controls	SEE 94-555	
		-	-	-	-	-		Vinsch	Winch	SEE 94-557	
		-	-	-	-	-		Bandbroms	Strap brake	SEE 94-561	
								SPCL S-6059	SPCL S-6059		
		-	-	-	-	-		Linledare bakre främre	Pulley (guide) rear front	SEE 94-563	

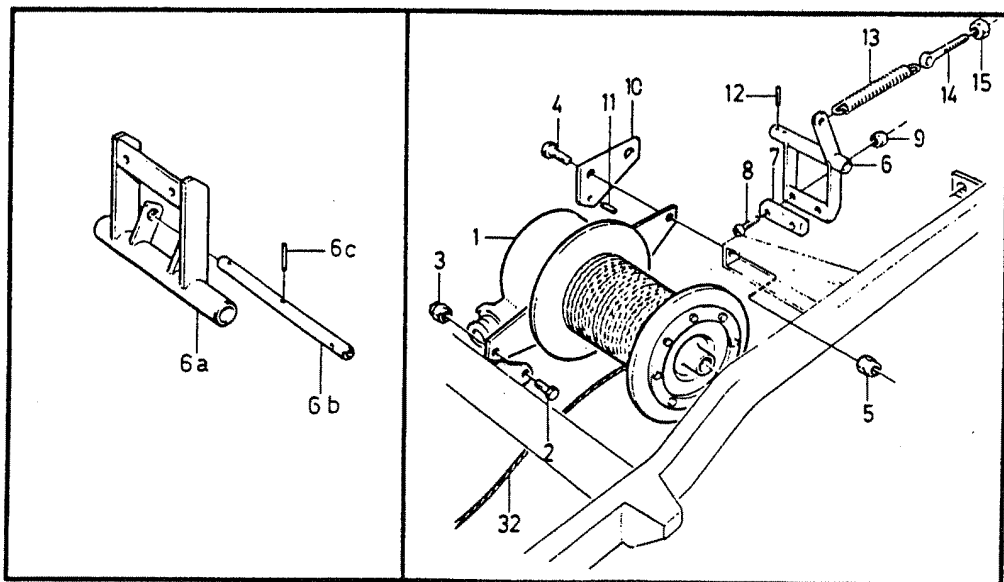
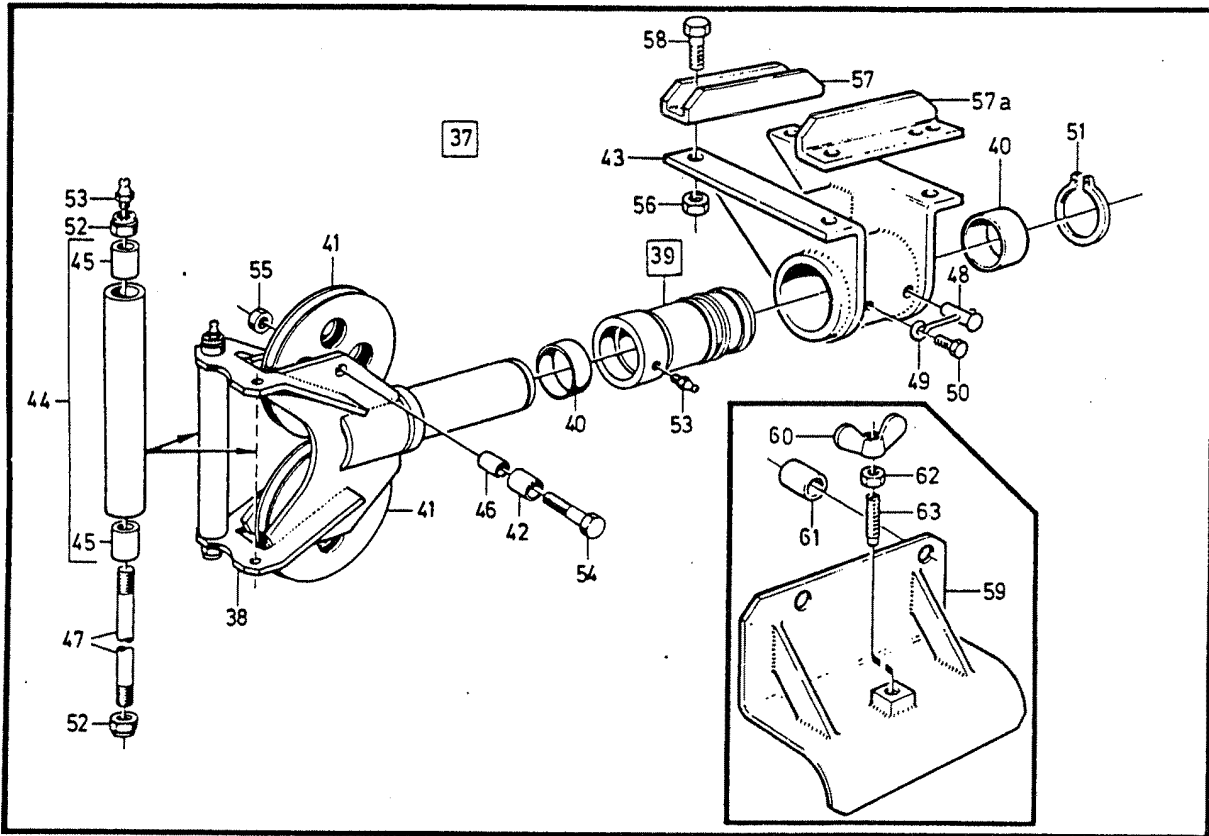
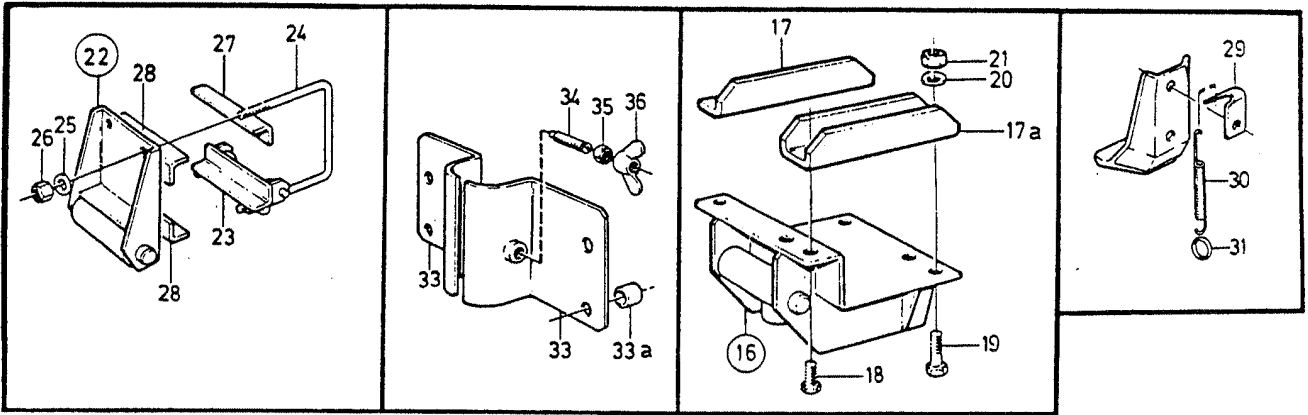


VOLVO
 Genuine Parts
 LV940 53121

A	B	C	D	E	VINSCH MED MONTERINGSDETALJER					WINCH WITH FITTINGS		Grupp Group
												94
												Sida Page
												551
Pos	Artikel nr Part No.	Antal /Quantity					P S	Benämning	Description	Anmärkning Notes	S R	
		A	B	C	D	E						
1	1560908-4	1	-	-	-	-	Winsch	Winch		6		
	1563804-2	1	-	-	-	-	Winsch	Winch	1)	6		
		-	-	-	-	-	• SEE 94 • 557	• SEE 94 • 557				
2	955365-2	1	-	-	-	-	Skruv	Screw	M12	2		
3	945884-5	1	-	-	-	-	Låsmutter	Lock nut	M12	2		
4	955341-3	1	-	-	-	-	Skruv	Screw	M12	2		
5	946034-6	1	-	-	-	-	Låsmutter	Lock nut	M12	4		
6	1561973-7	1	-	-	-	-	Linbroms	Cable stop		4		
		-	-	-	-	-	Bandbroms	Strap brake	SPCL S-6059			
		-	-	-	-	-	• SEE 94 • 561	• SEE 94 • 561				
6a	1563235-9	1	-	-	-	-	Linbroms	Cable stop	1)	4		
6b	1563237-5	1	-	-	-	-	Axel	Shaft	1)	6		
6c	951957-0	2	-	-	-	-	Rörpinne	Spring pin	1) 4mm	2		
7	1561978-6	1	-	-	-	-	Bromsklots	Brake pad		3		
8	950063-8	2	-	-	-	-	Skruv	Screw	5/16"	2		
9	945467-9	2	-	-	-	-	Låsmutter	Lock nut	5/16"	2		
10	1561979-4	1	-	-	-	-	Fäste	Anchorage	4X4	3		
	1561980-2	1	-	-	-	-	Fäste	Anchorage	6X6	3		
11	952001	1	-	-	-	-	OP Rörpinne	Spring pin	10mm	2		
12	951981-0	2	-	-	-	-	Rörpinne	Spring pin	6mm	2		
13	331420-0	1	-	-	-	-	Dragfjäder	Tension spring		1		
14	1561985-1	1	-	-	-	-	Ögleskruv	Eye bolt		3		
★ 15	971071-6	2	-	-	-	-	Mutter	Nut	(955783)	2		
16	1561897-8	1	-	-	-	-	Linledare, främre	Cable guide, front	EXC SPCL S-8926	3		
		-	-	-	-	-	• SEE 94 • 563	• SEE 94 • 563				
		1	-	-	-	-	NS Linledare, främre	Cable guide, front	2)			
17	1565948-5	1	-	-	-	-	Fästjärn	Attaching plate		4		
17a	1565947-7	1	-	-	-	-	Fästjärn	Attaching plate		4		
		2	-	-	-	-	NS Fäste	Anchorage	2)			
18	940115-9	2	-	-	-	-	Skruv	Screw	3/8" LG 25	2		
19	955539-2	2	-	-	-	-	Skruv	Screw	3/8" LG 64	2		
	940115-9	2	-	-	-	-	Skruv	Screw	2)	2		
20	942336-9	4	-	-	-	-	Fjäderbricka	Spring washer		2		
21	955827-1	4	-	-	-	-	Mutter	Nut	3/8"	2		
	946420-7	4	-	-	-	-	Mutter	Nut	2)	2		
22	1561750-9	1	-	-	-	-	Linledare, bakre	Cable guide, rear		3		
		-	-	-	-	-	• SEE 94 • 563	• SEE 94 • 563				
23	1561754-1	1	-	-	-	-	Hållare	Retainer		3		
24	1561757-4	2	-	-	-	-	Krampa	Clamp		3		
25	942336-9	4	-	-	-	-	Fjäderbricka	Spring washer		2		
26	955827-1	4	-	-	-	-	Mutter	Nut		2		
27	1561759-0	1	-	-	-	-	Mellanlägg	Spacer		3		
28	1561758-2	2	-	-	-	-	Mellanlägg	Spacer		3		
29	1561842-4	1	-	-	-	-	Fäste	Anchorage		3		
30	28727-6	1	-	-	-	-	Dragfjäder	Tension spring		2		
31	1561843-2	1	-	-	-	-	Ring	Ring		3		
32	1561663-4	1	-	-	-	-	Lina	Cable		3		
33		2	-	-	-	-	NS Hållare	Retainer	SPCL S-3701			
33a		2	-	-	-	-	NS Distansrör	Spacer tube	SPCL S-3701			
34	951376-3	1	-	-	-	-	Skruv	Screw	SPCL S-3701	2		
35	955835-4	1	-	-	-	-	Mutter	Nut	SPCL S-3701	2		
36	956905-4	1	-	-	-	-	Vingmutter	Wing nut	SPCL S-3701	2		
37		1	-	-	-	-	NS Linledare, främre	Cable guide, front	SPCL S-8926			
38	636473-1	1	-	-	-	-	• Hållare	• Retainer		6		
39	636485-5	1	-	-	-	-	• Bussningshållare	• Bushing retainer		6		
40		2	-	-	-	-	NS • Bussning	• Bushing				
41	1563558-4	2	-	-	-	-	• Linskiva	• Cable pulley		6		
42	636467-3	1	-	-	-	-	• Bussning	• Bushing		6		
43	1563542-8	1	-	-	-	-	• Konsol	• Bracket		6		

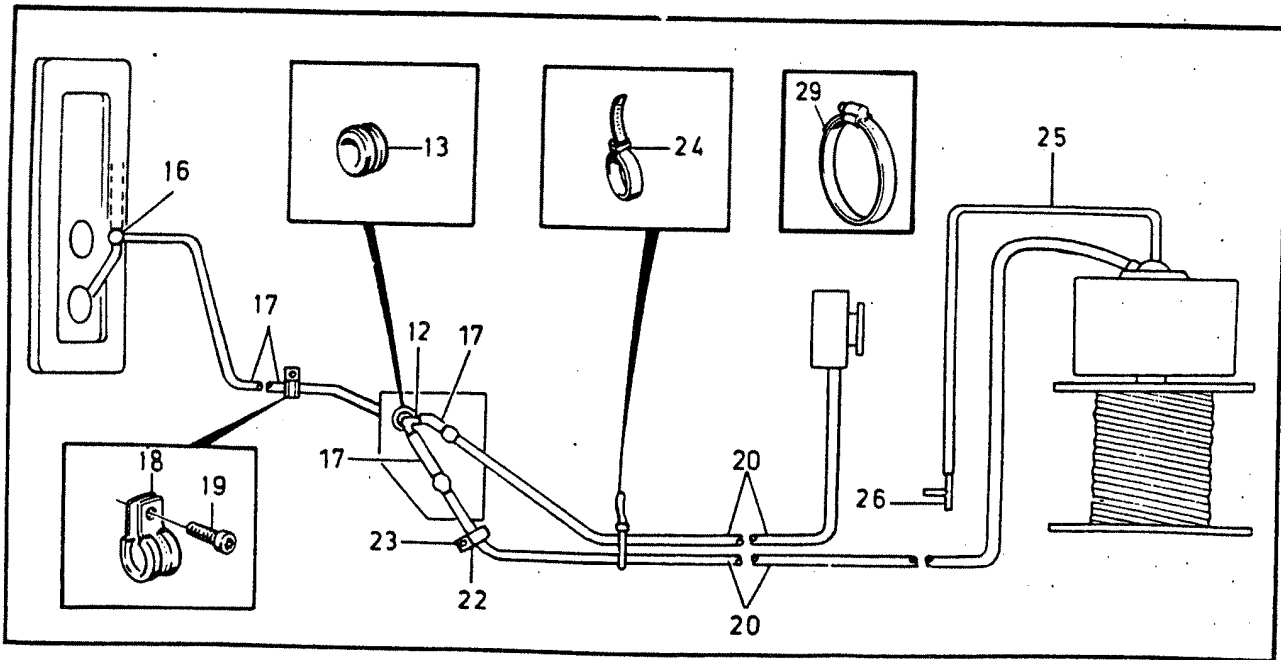
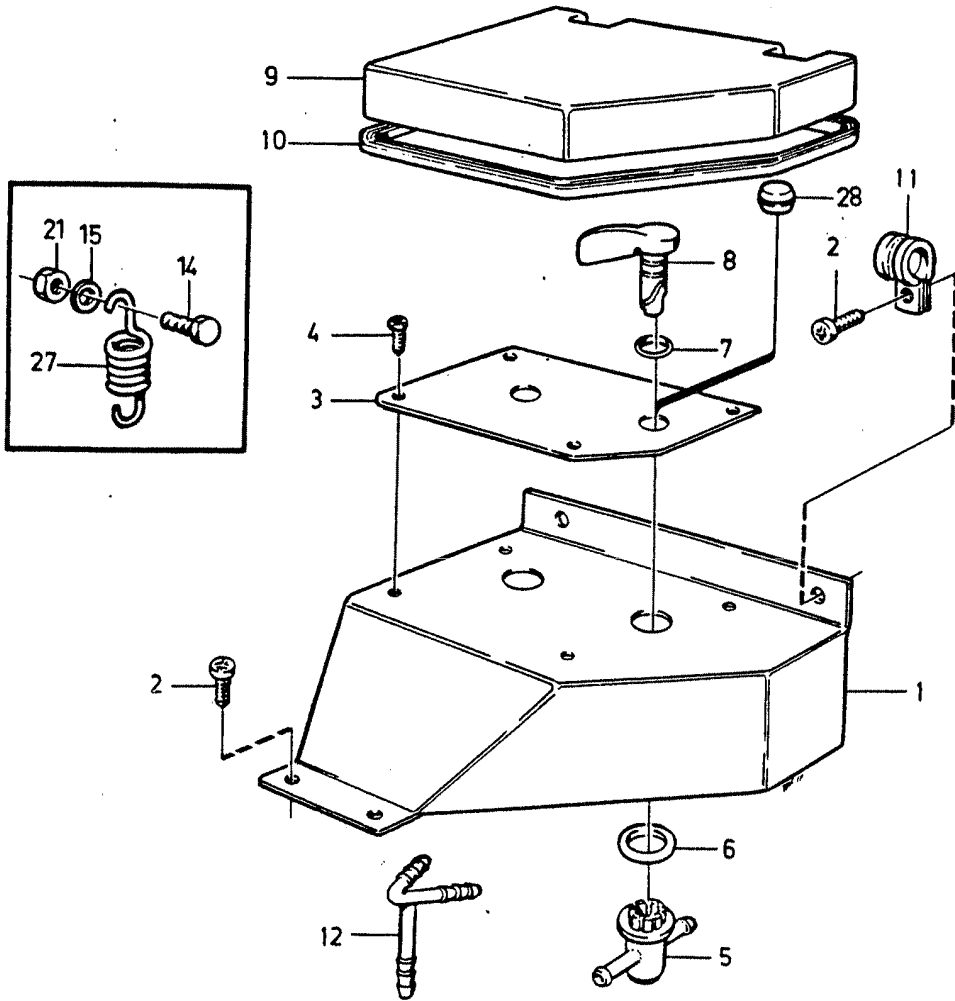
1) SPCL S-3619, S-3656, S-3692, S-3696, S-3853, S-6059.

2) SPCL S-3619, S-3656, S-3701.



VOLVO
 Genuine Parts
 LV940 53121

A	B	C	D	E	VINSCH		WINCH		Grupp Group		
					MED MONTERINGSDETALJER		WITH FITTINGS			94	
											Sida Page
Pos	Artikel nr Part No.	Antal /Quantity					P S	Benämning	Description	Anmärkning Notes	S R
		A	B	C	D	E					
44	636472-3	2	-	-	-	-		•Styrrulle	•Guide roller		4
45		2	-	-	-	-		•• Bussning	•• Bushing		
46	636468-1	2	-	-	-	-		•Lagerhylsa	•Bearing sleeve		3
47	636469-9	2	-	-	-	-		•Axel	•Shaft		6
48	636470-7	1	-	-	-	-		•Låstapp	•Lock pin		4
49	636484-8	1	-	-	-	-		•Låsfjäder	•Lock spring		3
50	955510-3	1	-	-	-	-		•Skruv	•Screw		2
51	914476-7	1	-	-	-	-		•Spärring	•Retaining ring		2
52	946007-2	4	-	-	-	-		•Mutter	•Nut		2
53	951739-2	5	-	-	-	-		•Smörjnippel	•Lubricating nipple		2
54	955564-0	2	-	-	-	-		•Skruv	•Screw		2
55	946637-6	2	-	-	-	-		•Mutter	•Nut		2
56	946420-7	4	-	-	-	-		•Mutter	•Nut		2
57	1565947-7	2	-	-	-	-		•Fästjärn	•Attaching plate		4
57 a	1565948-5	1	-	-	-	-		•Fästjärn	•Attaching plate		4
58	940115-9	4	-	-	-	-		•Skruv	•Screw		2
59	1563570-9	2	-	-	-	-		Hållare, v	Retainer, l.h.		3
60	956905-4	1	-	-	-	-		Vingmutter	Wing nut		2
61	1563601-2	2	-	-	-	-		Distansrör	Spacer tube		6
62	955835-4	1	-	-	-	-		Mutter	Nut		2
63	951376-3	1	-	-	-	-		Skruv	Screw		2

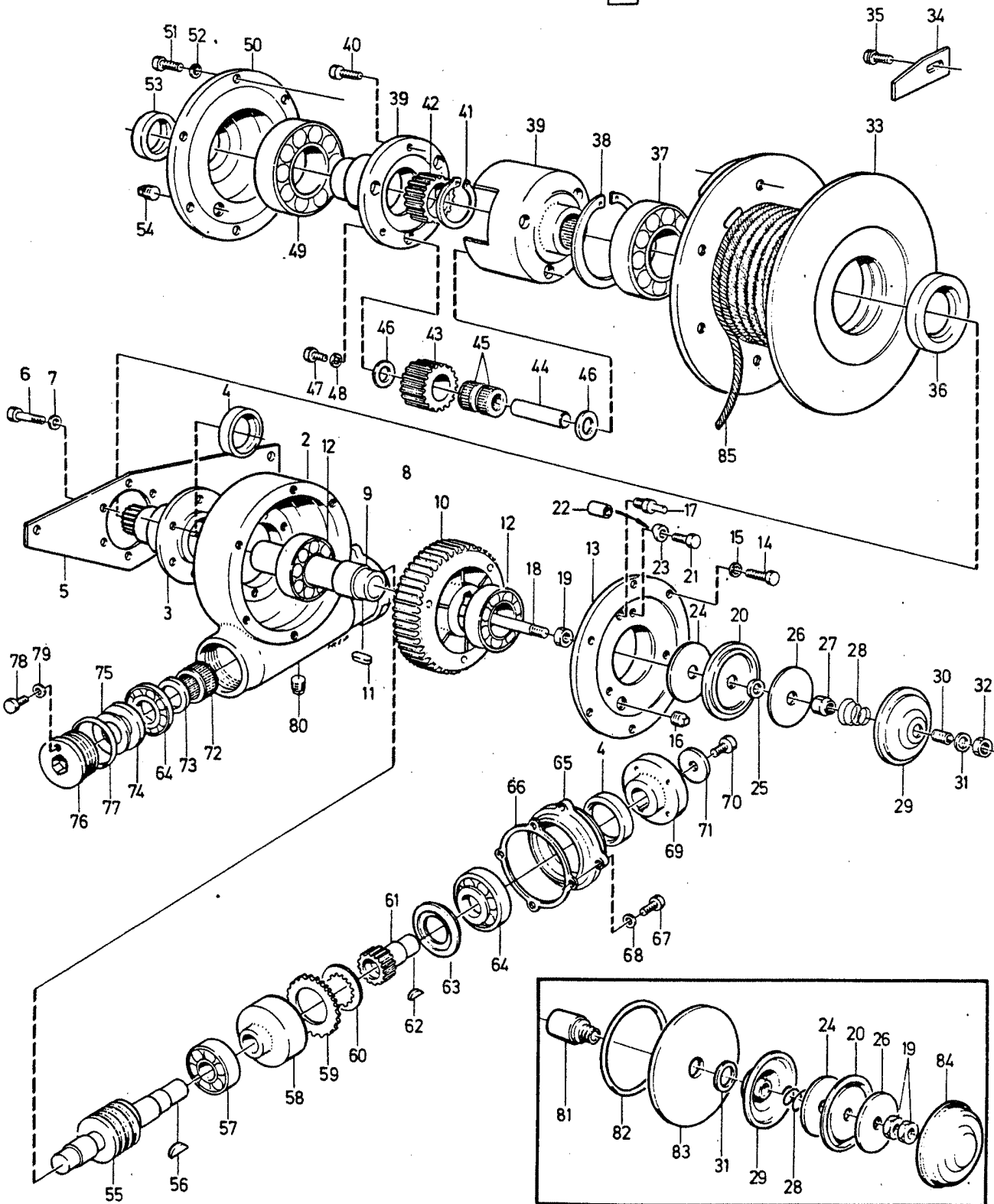


VOLVO PARTS
 2 090 24742
 (35:4)

A	B	C	D	E	VINSCH REGLAGE					WINCH CONTROLS			Grupp Group
													94
													Sida Page
													555
Pos	Artikel nr Part No.	Antal /Quantity					P S	Benämning	Description	Anmärkning Notes	S R		
		A	B	C	D	E							
1	1561197-3	1	-	-	-	-		Konsol	Bracket	INCL SPCL S-8919	3		
2	969278-1	4	-	-	-	-		Skruv	Screw	(955138)	2		
3	1561548-7	1	-	-	-	-		Skylt	Sign		4		
	1563674-9	1	-	-	-	-		Skylt	Sign	SPCL S-3619, S-3656, S-3696, S-8919.	4		
	1563142	1	-	-	-	-	NS	Skylt	Sign	SPCL S-3705			
	1565354-6	1	-	-	-	-		Skylt	Sign	SPCL S-8919, S-6059, CIVIL CH 4539-	4		
4	905656-5	4	-	-	-	-		Skruv	Screw		2		
5	644450-9	2	-	-	-	-		Ventilhus	Valve housing	INCL SPCL S-8919	6		
6	960172-5	2	-	-	-	-		O-ring	O-ring		2		
7	947930-4	2	-	-	-	-		O-ring	O-ring		2		
8	644451-7	2	-	-	-	-		Vred	Knob		6		
9	1561203-9	1	-	-	-	-		Lock	Cover		5		
10	679754-2	X	-	-	-	-		Kantskyddslist	Edge protection moulding		2		
11	952623-7	2	-	-	-	-		Klamma	Clamp		2		
12	1562021-4	1	-	-	-	-		Grenrör	Manifold		3		
13	943920-9	1	-	-	-	-		Tätning	Seal	(961962)	2		
14	950021-6	2	-	-	-	-		Skruv	Screw	SPCL S-3656	2		
15	941905-2	2	-	-	-	-		Fjäderbricka	Spring washer	SPCL S-3656	2		
16	419446-0	1	-	-	-	-		Nippel	Nipple		2		
17	1272328-4	X	-	-	-	-		Slang	Hose	(943706) (947908)	2		
	1272328-4	X	-	-	-	-		Slang	Hose	1) (947908)	2		
18	952630-2	2	-	-	-	-		Klamma	Clamp		2		
19	955136-7	2	-	-	-	-		Skruv	Screw		2		
20	942868-1	X	-	-	-	-		Slang	Hose		2		
21	940092-0	4	-	-	-	-		Mutter	Nut	SPCL S-3656	2		
22	191409-2	2	-	-	-	-		Klamma	Clamp		2		
23	969278-1	2	-	-	-	-		Skruv	Screw	(955138)	2		
24	948211-8	4	-	-	-	-		Bandklamma	Strip clamp	(948210) (362281)	2		
	948211-8	4	-	-	-	-		Bandklamma	Strip clamp	1) INCL SPCL S-8919 (948210) (191472)	2		
25	1306703-8	X	-	-	-	-		Slang	Hose		2		
26	639056-1	1	-	-	-	-		Rör	Pipe		3		
27	666921	1	-	-	-	-	OP	Fjäder	Spring	SPCL S-3656	2		
28	941269-3	1	-	-	-	-		Gummibussning	Rubber bushing	SPCL S-8919	2		
29	967919-2	5	-	-	-	-		Slangklamma	Hose clamp	(943470)	2		

1) SPCL S-3619, S-3656, S-3692, S-3695, S-3696.

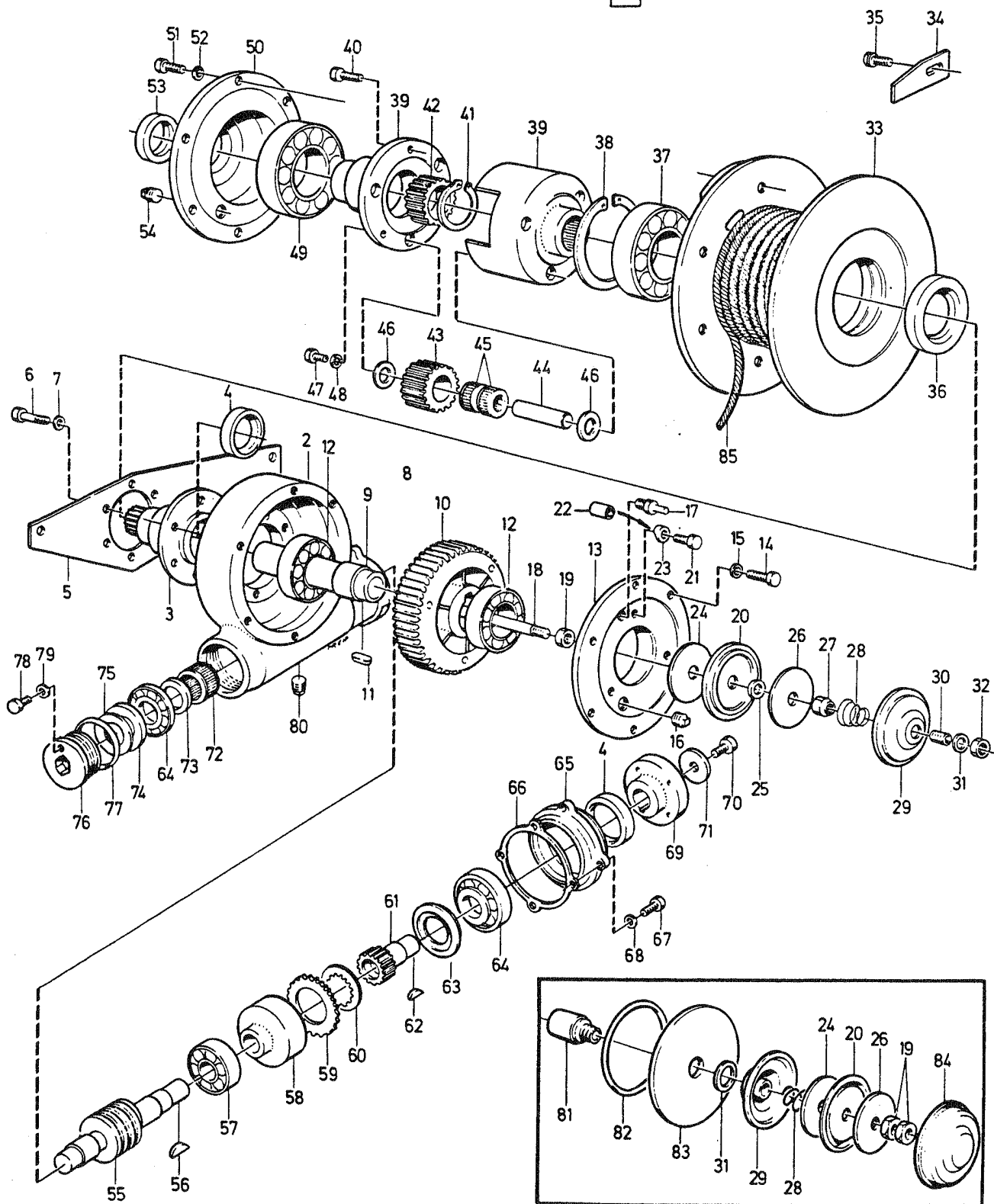
1



VOLVO PARTS
2 090 20121
(35:4)

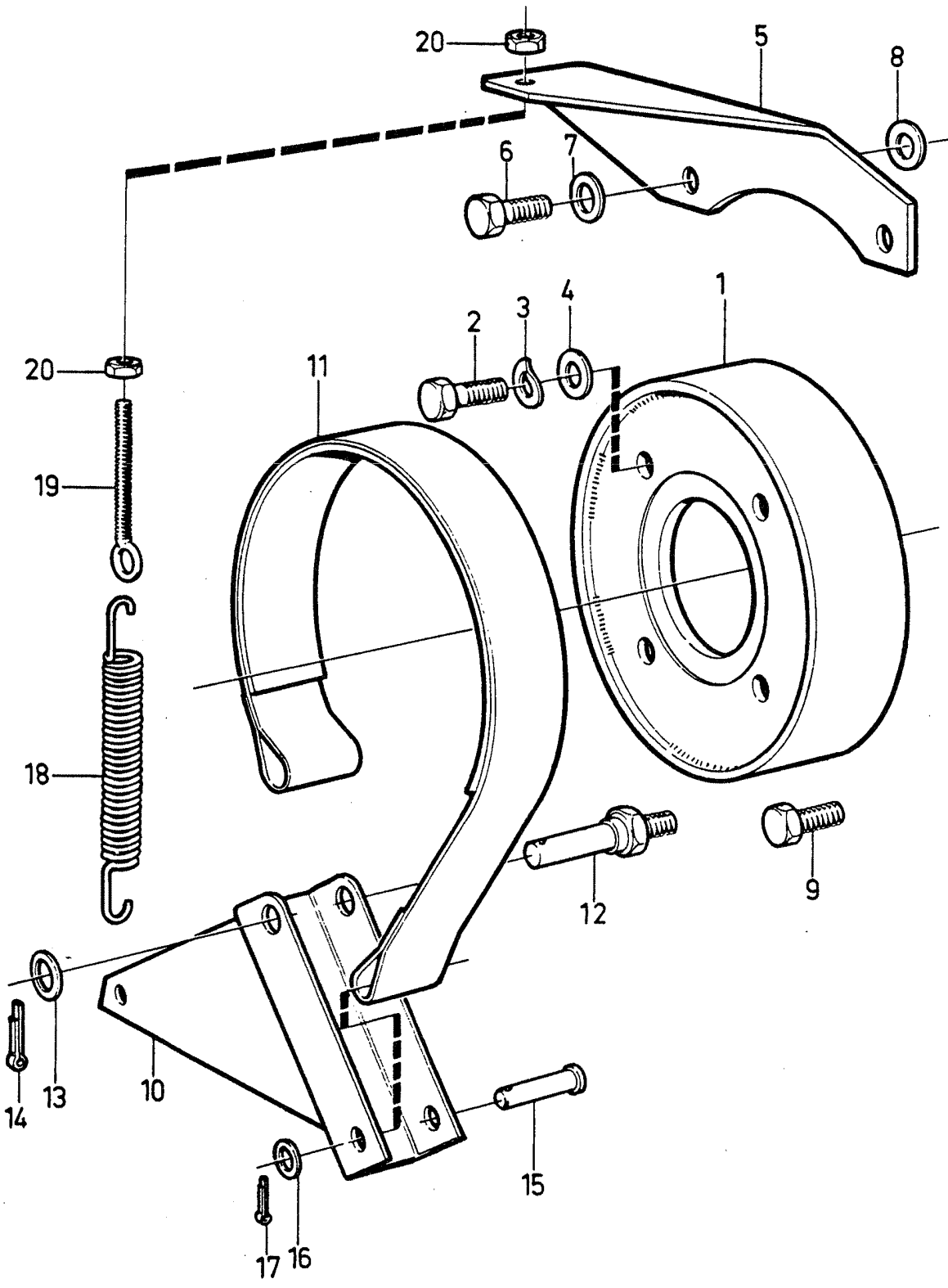
A	1560908-4	VINSCH					WINCH					Grupp Group	94
	B												
C		Antal /Quantity											
D		A	B	C	D	E							
E													
1	1560908-4	1	-	-	-	-	Winsch	Winch	COMPL	6			
2	1563804-2	-	1	-	-	-	Winsch	Winch	COMPL	6			
3	1562785-4	1	1	-	-	-	• Växelhus	• Gear housing		3			
4	1562753-2	1	1	-	-	-	• Bäraxel	• Support shaft		3			
5	959008-4	2	2	-	-	-	• Tätningring	• Sealing ring		2			
6	1562801-9	1	1	-	-	-	• Fäste	• Anchorage		3			
7	970972-6	6	6	-	-	-	• Skruv	• Screw	(955342)	2			
8	940280-1	6	6	-	-	-	• Fjäderbricka	• Spring washer		2			
9	1562751-6	1	-	-	-	-	• Axel	• Shaft		6			
10	1565306-6	-	1	-	-	-	• Axel	• Shaft		6			
11		1	1	-	-	NS	• Axel	• Shaft					
12	909354-3	1	1	-	-	NS	• Kuggghjul	• Gear		2			
13	11016-3	2	2	-	-	-	• Kil	• Key		2			
14	1562781-3	1	-	-	-	-	• Kullager	• Ball bearing		2			
15	1565317-3	-	1	-	-	-	• Lock	• Cover		5			
16	955317-3	6	6	-	-	-	• Lock	• Cover		5			
17	941908-6	6	6	-	-	-	• Skruv	• Screw		2			
18	952070-1	1	1	-	-	-	• Fjäderbricka	• Spring washer		2			
19	180003-6	1	1	-	-	-	• Propp	• Plug		2			
20	1562754-0	1	-	-	-	-	• Nippel	• Nipple		2			
21	1565307-4	-	1	-	-	-	• Stång	• Rod		5			
22	955781-0	1	2	-	-	-	• Stång	• Rod		5			
23	639991-9	1	1	-	-	-	• Mutter	• Nut		2			
24	955271-2	3	-	-	-	-	• Membran	• Diaphragm		3			
25	955278-7	-	3	-	-	-	• Skruv	• Screw		2			
26	1565311-6	-	3	-	-	-	• Skruv	• Screw		2			
27	640075-8	3	6	-	-	-	• Distansrör	• Spacer tube		6			
28	1562749-0	1	-	-	-	-	• Klamma	• Clamp		3			
29	1565308-2	-	1	-	-	-	• Bricka	• Washer		3			
30	947620-1	1	1	-	-	-	• Bricka	• Washer	(942383)	3			
31	639989-3	1	1	-	-	-	• Packning	• Gasket		2			
32	946035-3	1	-	-	-	-	• Bricka	• Washer		3			
33	637759-2	1	1	-	-	-	• Låsmutter	• Lock nut		2			
34	640312-5	1	1	-	-	-	• Fjäder	• Spring		3			
35	962947-8	1	-	-	-	-	• Lock	• Cap		3			
36	957173-8	1	1	-	-	-	• Stoppskruv	• Set screw		2			
37	955791-9	1	-	-	-	-	• Packning	• Gasket		2			
38	1562745-8	1	1	-	-	-	• Mutter	• Nut		2			
39	1562757-3	1	1	-	-	-	• Lintrumma	• Cable drum		3			
40	948715-8	1	1	-	-	-	• Kil	• Key		3			
41	959043-1	1	1	-	-	-	• Skruv	• Screw		2			
42	18572-8	1	1	-	-	-	• Tätningring	• Sealing ring		2			
43	914553-3	1	1	-	-	-	• Kullager	• Ball bearing		2			
44	1562744-1	1	1	-	-	-	• Spärring	• Retaining ring		2			
45	955341-3	3	3	-	-	-	• Planethållare	• Planet carrier		3			
46	948714-1	1	1	-	-	-	Hållare	Retainer					
47	1562779-7	1	1	-	-	-	• Skruv	• Screw		2			
48	1562778-9	3	3	-	-	-	• Spärring	• Retaining ring		2			
49	1562777-1	3	3	-	-	-	• Solhjul	• Sun gear		3			
50	181359-1	6	6	-	-	-	• Planethjul	• Planet gear		3			
51	1562756-5	6	6	-	-	-	• Planethjulaxel	• Planet gear shaft		3			
52	955268-8	3	3	-	-	-	• Nållager	• Needle bearing		2			
53	1561885-3	3	3	-	-	-	• Distansring	• Spacer ring		3			
54	11019-7	1	1	-	-	-	• Skruv	• Screw		2			
55	1562746-6	1	1	-	-	-	• Låsbricka	• Lock washer		3			
56	940148-0	5	5	-	-	-	• Kullager	• Ball bearing		2			
57	955922-0	5	5	-	-	-	• Gavel	• End plate		3			
58	959025-8	1	1	-	-	-	• Skruv	• Screw		2			
59	946559-2	1	1	-	-	-	• Bricka	• Washer		2			
60	1562784-7	1	1	-	-	-	• Tätningring	• Sealing ring		2			
61		1	1	-	-	-	• Propp	• Plug		2			
62		1	1	-	-	-	• Snäckskruv	• Worm		3			

1



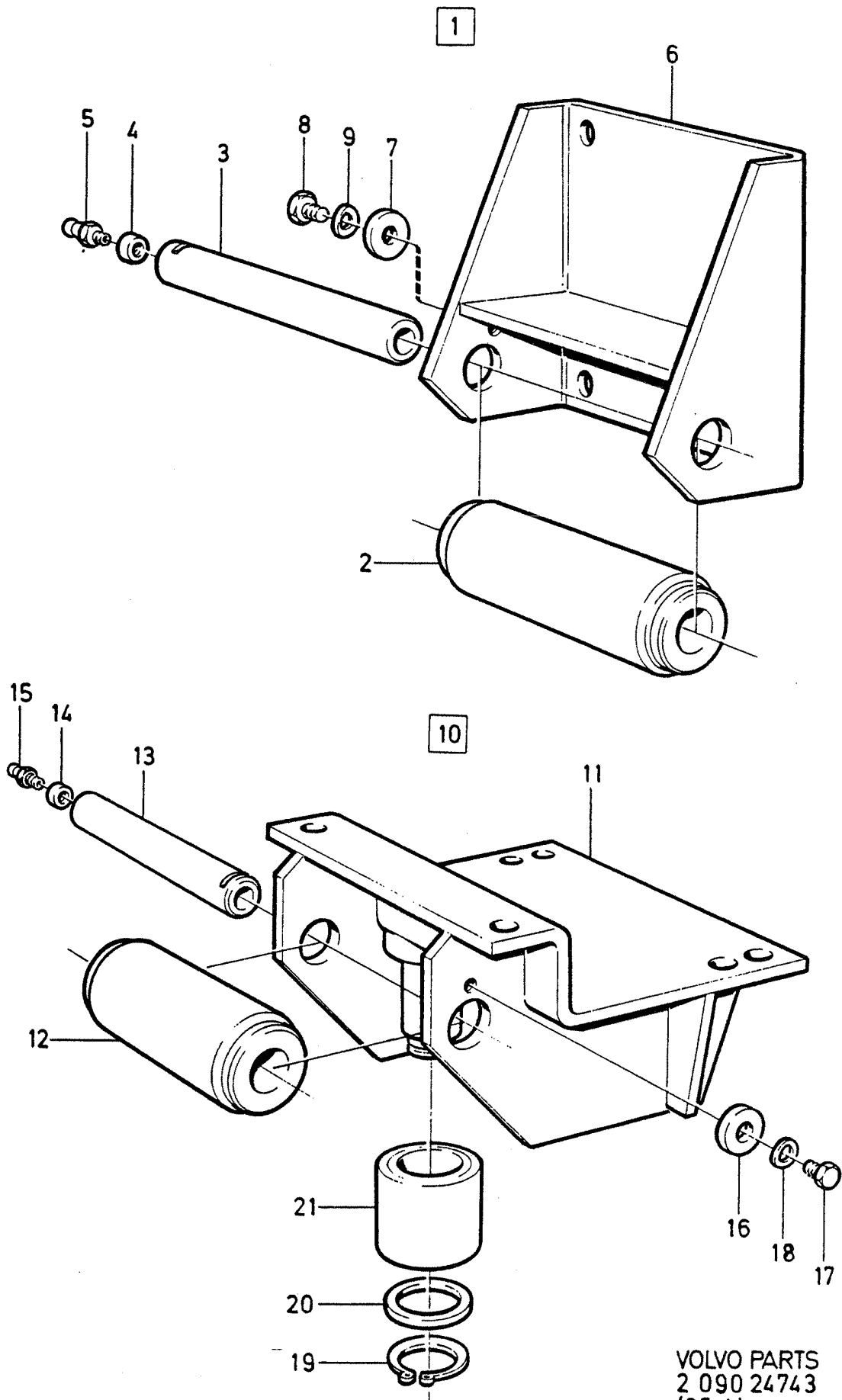
VOLVO PARTS
2 090 20121
(35-4)

A	1560908-4	VINSCH					WINCH					Grupp Group	
	B											1563804-2	94
C				Sida Page									
D				559									
E													
Pos	Artikel nr Part No.	Antal /Quantity					P S	Benämning	Description	Anmärkning Notes	S R		
		A	B	C	D	E							
56	910122-1	1	1	-	-	-	• Kil	• Key		2			
57	11013-0	1	1	-	-	-	• Kullager	• Ball bearing		2			
58	1562786-2	1	1	-	-	-	• Nav	• Hub		3			
59	666248-0	5	5	-	-	-	• Lamell	• Disc		3			
60	633262-1	5	5	-	-	-	• Lamell	• Disc		3			
61	1562787-0	1	1	-	-	-	• Axel	• Shaft		6			
62	910121-3	1	1	-	-	-	• Kil	• Key		2			
63	1562791-2	1	1	-	-	-	• Distansring	• Spacer ring		3			
64	183668-3	2	2	-	-	-	• Rullager	• Roller bearing		2			
65	1562789-6	1	1	-	-	-	• Lagerbox	• Bearing box		3			
66	1562799-5	1	1	-	-	-	• Packning	• Gasket		3			
67	955317-3	4	4	-	-	-	• Skruv	• Screw		2			
68	941908-6	4	4	-	-	-	• Fjäderbricka	• Spring washer		2			
69	1562804-3	1	1	-	-	-	• Medbringare	• Companion flange		3			
70	955315-7	1	1	-	-	-	• Skruv	• Screw		2			
71	1562793-8	1	1	-	-	-	• Bricka	• Washer		3			
72	184078-4	1	1	-	-	-	• Nållager	• Needle bearing		2			
73	1562792-0	1	1	-	-	-	• Distansring	• Spacer ring		3			
74	1562788-8	1	1	-	-	-	• Distansring	• Spacer ring		3			
75	961419-9	3	3	-	-	-	• Taltriks fjäder	• Disc spring		2			
76	1562796-1	1	1	-	-	-	• Kolv	• Piston		3			
77	925258-6	1	1	-	-	-	• O-ring	• O-ring		2			
78	955268-8	1	1	-	-	-	• Skruv	• Screw		2			
79	941906-0	1	1	-	-	-	• Fjäderbricka	• Spring washer		2			
80	952359-8	2	2	-	-	-	• Propp	• Plug		2			
81	1565305-8	-	1	-	-	-	• Lock	• Cover		5			
82	925095-2	-	1	-	-	-	• O-ring	• O-ring		2			
83	1565309-0	-	1	-	-	-	• Plomberingskåpa	• Sealing cover		5			
84	1565315-7	-	1	-	-	-	• Lock	• Cover		5			
85	1561663-4	1	1	-	-	-	Lina	Cable		3			



VOLVO PARTS
 2 090 28074

A			BANDBROMS		STRAP BRAKE		Grupp				
							Group				
							94				
							Sida				
							Page				
B							561				
C											
D											
E							SPCL S-6059				
Pos	Artikel nr Part No.	Antal /Quantity					P S	Benämning	Description	Anmärkning Notes	S R
		A	B	C	D	E					
1	1567147-2	1	-	-	-	-		Bromstrumma	Brake drum		5
2	942267-6	4	-	-	-	-		Skruv	Screw		2
3	941907-8	4	-	-	-	-		Fjäderbricka	Spring washer		2
4	955894-1	4	-	-	-	-		Bricka	Washer		2
5	1567156-3	1	-	-	-	-		Konsol	Bracket		6
☆ 6	970948-6	2	-	-	-	-		Skruv	Screw	(955318)	2
7	960148-5	2	-	-	-	-		Bricka	Washer		2
8	941908-6	4	-	-	-	-		Fjäderbricka	Spring washer		2
9	955317-3	1	-	-	-	-		Skruv	Screw		2
10	1567150-6	1	-	-	-	-		Hävarm	Lever		5
11	1567153-0	1	-	-	-	-		Bromsband	Brake lining		3
12	1567157-1	1	-	-	-	-		Skruv	Screw		5
13	955896-6	1	-	-	-	-		Bricka	Washer		2
14	907849-4	1	-	-	-	-		Saxpinne	Split pin		2
15	913131	1	-	-	-	-	OP	Saxpinnebult	Clevis pin		2
16	955894-1	1	-	-	-	-		Bricka	Washer		2
17	907824-7	1	-	-	-	-		Saxpinne	Split pin		2
18	636396-4	1	-	-	-	-		Returfjäder	Return spring		3
19	1567179-5	1	-	-	-	-		Ställskruv	Adjusting screw		5
20	955781-0	2	-	-	-	-		Mutter	Nut		2



VOLVO PARTS
2 090 24743
(35:4)